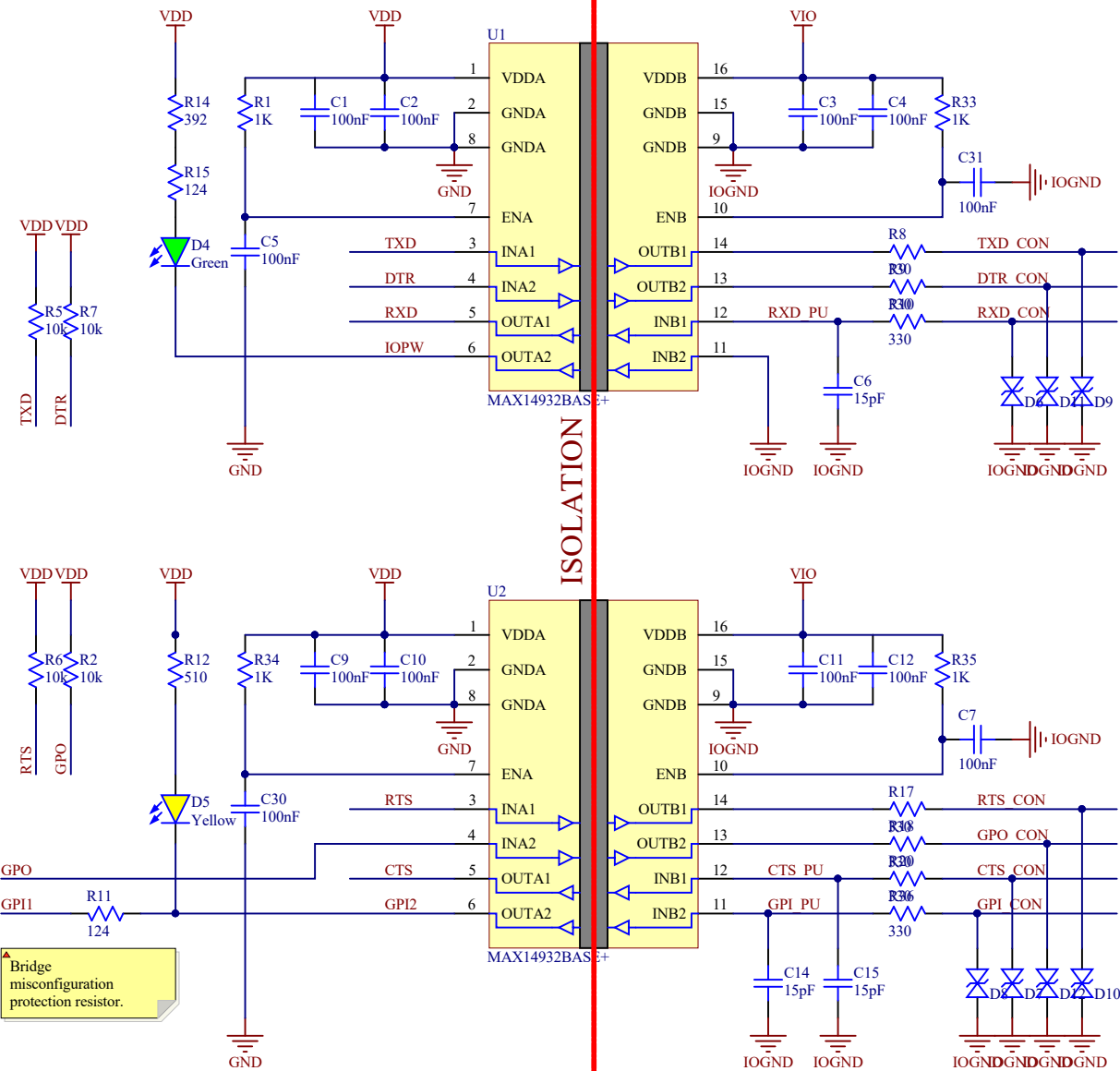


← HOST SIDE PERIPHERAL SIDE →

OUTPUT PULLUPS

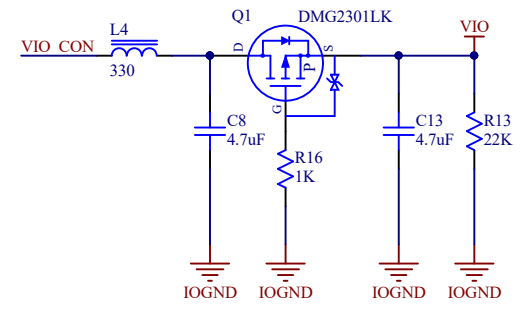
INPUT PULLUPS

ISOLATION

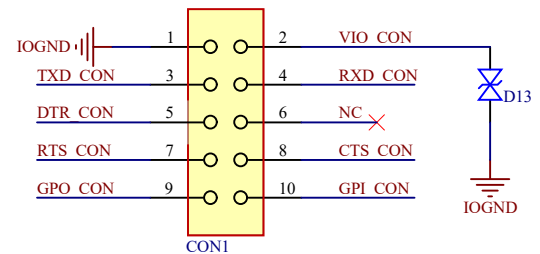


Bridge misconfiguration protection resistor.

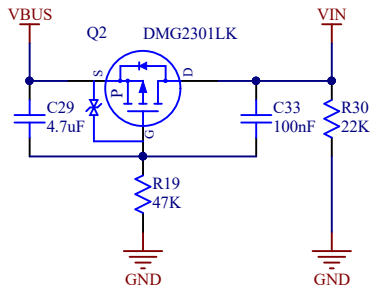
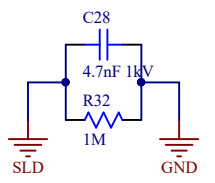
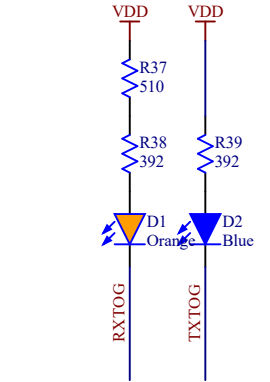
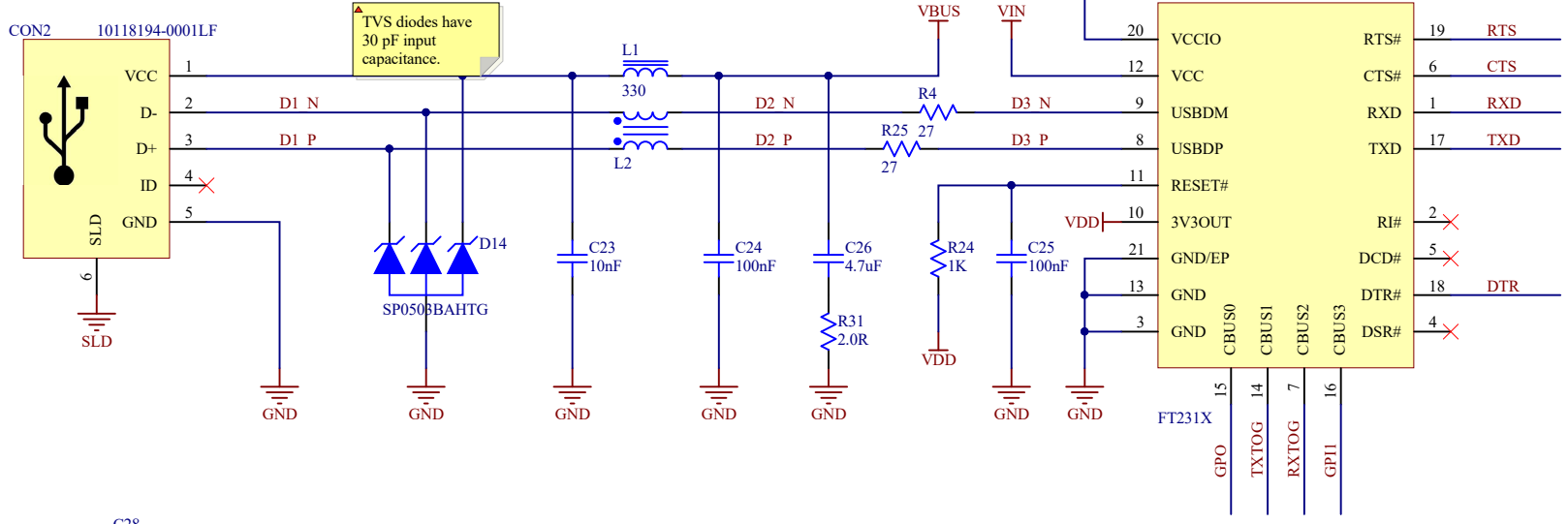
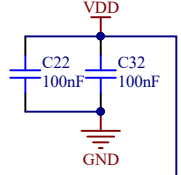
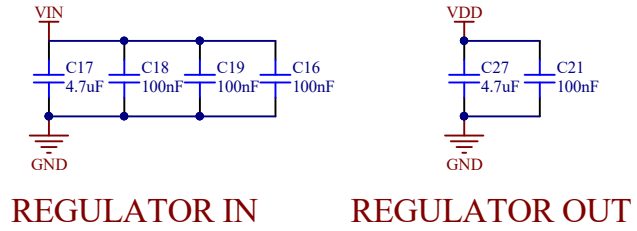
REVERSE POLARITY PROTECTION



PERIPHERAL HEADER



µArt USB-UART Converter  
rev. C3 2018. 09. 29.  
Page 1/2 - Isolation



**µArt USB-UART Converter**  
rev. C3 2018. 09. 29.  
Page 2/2 - USB Bridge